

Head office

- 61 & 62, 6th Floor,
Kalpataru Square, Kondivita Road,
Off Andheri-Kurla Road, Andheri (E),
MUMBAI – 400 059.
Tel : (022) 3041 6200
Fax : (022) 3041 6201
Website : www.legrand.co.in

Regional sales offices

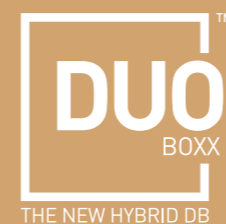
- A-25, Mohan Co-operative
Industrial Estate, Mathura Road,
NEW DELHI – 110 044.
Tel : (011) 3990 2200, 2699 0046,
[011] 2699 0028 / 29 / 30 / 31
Fax : (011) 2699 0047
- Bhakta Towers, 2nd & 3rd Floor,
Plot No. KB 22, Sector-III, Saltlake,
KOLKATA – 700 098.
Tel : (033) 4021 3535 / 36
Fax : (033) 4021 3537
- C/203, Corporate Avenue, Atul Projects,
Near Mirador Hotel, Chakala,
Andheri Ghatkopar Link Road,
Andheri – East, **MUMBAI** – 400 099.
Tel : (022) 3385 6200 / 62301000
- 10 B, (10th Floor), Prestige Center Court
Office Block Vijaya Forum Mall, #183,
N.S.K. Salai, Vadapalani
CHENNAI – 600 026.
Tel : (044) 3024 7200 / 2362 3125 / 35 / 45
Fax : (044) 2362 3165
- 205-208, 2nd Floor,
Block - II, White House,
Kundan Bagh, Begumpet,
HYDERABAD – 500 016.
Tel : (040) 2341 4398 / 67, 4567 1717
Fax : (040) 4567 1730

Branch offices

- SCO 1-2-3, Second Floor, Sector 17B,
CHANDIGARH – 160 017.
Tel : (0172) 305 8631 / 32 / 33 / 34 / 35
Fax : (0172) 501 9008
- 507-510, Vth Floor, Soni Paris Point,
Jai Singh Highway, Banipark,
JAIPUR – 302 016.
Telefax : (0141) 511 3129, 510 1179
- 209-A, 2nd Floor, Cyber Heights,
Opp. Indira Gandhi Pratishthan,
Vibhuti Khand, Gomti Nagar
LUCKNOW – 226 010.
Tel : (522) 319 2031 / 32 / 33
- 202 & 203, 2nd Floor, Sunrise,
Forum 100, Burdwan Compound, Lalpur,
RANCHI – 834 001.
Tel : (651) 660 5400
- A 101-102, Mondeal Heights,
Besides Novotel Hotel, Sarkhej
Gandhinagar Highway (S G Highway),
AHMEDABAD – 380 015.
Tel : (079) 6134 0555
- 402, Swastik Chambers,
Near Ashwamegh Marriage Hall,
Behind HP Petrol Pump,
Off Karve Road, Erandwane,
PUNE – 411 004.
Tel : (020) 6729 5601 / 602
Fax : (020) 6729 5604
- Plot No.95, II Floor, Shreyash Heights,
VIP Road, Ramdaspath,
NAGPUR – 440 010.
Tel : (0712) 662 7857 / 858
Fax : (0712) 662 7859
- 2nd Floor, Al' Latheef Building,
2/1, Union Street, Off. Infantry Road,
BANGALORE – 560 001.
Tel : (080) 2286 1078, 4113 3293
Fax : (080) 4113 3294
- J. B. Manjooran Estate,
Door No 50/1107A9, 3rd Floor,
Bye Pass Junction, Edappally,
COCHIN – 682 024.
Tel : (0484) 280 1921 / 2921, 658 0921
Fax : (0484) 280 1921 / 2921
- B-5, 1st Floor, Thirumalai Towers,
723, Avanashi Road,
COIMBATORE – 641 018.
Tel : (0422) 650 2728, 222 3634 / 0283
Fax : (0422) 222 3164
- 204-205, Megapolis Square,
579, M G Road,
INDORE – 452 001.
Tel : (0731) 393 1650 / 51 / 52
Fax : (0731) 393 1653
- MF-2, Datta's Lords House,
Jammi Chettu Street, Mogalrajapuram,
VIJAYAWADA – 520 010.
Tel : (0866) 661 1393, 664 6393
Fax : (0866) 669 9393

Area offices

- ABC Business Club 16,
Tagore Villa,
DEHRADUN – 248 001.
Tel : (0135) 271 5189
Fax : (0135) 271 5580
- Cabin No. 9,
Second Floor,
Madhok Trade Centre,
Madhok Complex,
Ferozpur Road,
LUDHIANA – 141 001.
Tel : (0161) 277 0301 / 2 / 3 / 4
- House No. 97,
Ground Floor,
Rajgarh Main Road,
Opp. City Heart Nursing Home,
GUWAHATI – 781 007.
Tel : (0361) 245 8498
- 94, Udhm Singh Sarani,
Ground Floor, Ashrampara,
SILIGURI – 734 001.
Tel : (0353) 264 1067
- 405, City Centre, Sosyo Circle,
Udhana Magdalla Road,
SURAT – 395 002.
Tel : (0261) 263 3861
- Aparna Towers, 1st Floor,
2/3, Bypass Road,
MADURAI – 625 010.
Telefax : (0452) 230 8414
- 404, Eshwar Plaza,
Dwaraka Nagar, Main Road,
Beside Bata Show Room,
VISHAKHAPATNAM – 530 016.
Tel : (0891) 663 5652
Fax : (0891) 663 9363
- Plot No. 359,
Saheed Nagar, 2nd Floor,
BHUBANESWAR – 751 007.
Tel : (0674) 254 0623



THE BEGINNING

OF A NEW CHAPTER IN DISTRIBUTION BOARDS.

DUO/20000/11/2018 CIN U31909MH2010PTC206487



Technical assistance from Legrand

Telephonic technical assistance for selection of products, technical information, guidance, wiring diagrams and estimation is now made available to you at each Regional Office. Contact the Technical Officer of Legrand at the following telephone numbers

- New Delhi** : Tel.: (011) 2699 0028, 3990 2200
Kolkata : Tel.: (033) 4021 3535 / 36
Mumbai : Tel.: (022) 3385 6200
Chennai : Tel.: (044) 3024 7200
Hyderabad : Tel.: (040) 2341 4398 / 67, 4567 1717

For other places, contact the nearest
Regional / Branch / Area offices

customer.care@legrand.co.in
www.legrand.co.in

LIVE THE ADVANTAGE

The pace of today's life demands continuous upgrades in efficiency and ways to live smarter. At Legrand, we anticipate your needs with technologically advanced products, investing as much as 5% on Research and Development to deliver superior electrical and digital building infrastructure.

As global specialists, we make things that are not just essential but actually desirable. Our engineering is exacting and is fuelled by design thinking. We call this Designeering. It's not just a deep understanding of our markets, but delivering innovation and technology for uninterrupted living.

Such expertise helps us fulfil your needs. It also ensures that we're a step ahead, launching innovative products that change the way you look at form and function. Like the revolutionary Duo Boxx Distribution Board. It combines strength with aesthetics to give you the advantage. Twice over.



In the beginning, distribution boxes were wood till they were replaced with metal. Distribution boards were treated as square boxes which performed a functional purpose. They were relegated to discrete corners of your home, as quickly forgotten as they were installed. Not any more.

Presenting Duo Boxx, the hybrid distribution board that reimagines the purpose and utility of a distribution board. Duo Boxx binds plastic with metal to give you every advantage. From aesthetics to strength to start something altogether new. A fresh beginning.





MATCHES THE AESTHETIC



DUO[™]
BOXX
THE NEW HYBRID DB

Design and strength
add a touch of beauty
to interiors.

STRONG MECHANISM



DUO[™]
BOXX
THE NEW HYBRID DB

The moving parts
have been tested
to ensure years of
fault-free service.



PREVENTS DUST FROM ENTERING THE DB



DUO[™]
BOXX
THE NEW HYBRID DB

The seamless design,
protects electrical
equipment from
dust and other
foreign particles.



EASY-TO-OPEN

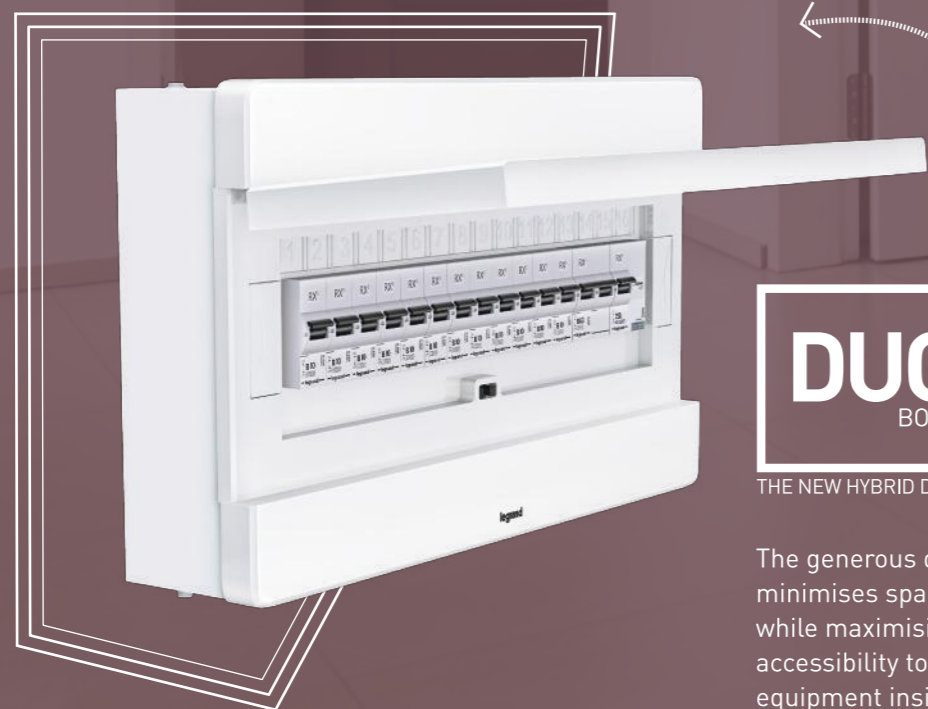


DUO[™]
BOXX
THE NEW HYBRID DB

A convenient
press and release
mechanism
makes operations
really effortless.



DOOR OPENS 110° FOR EASY ACCESS



DUOTM
BOXX
THE NEW HYBRID DB

The generous door swing minimises space usage while maximising accessibility to the equipment inside.



FLAME-PROOF



DUO[™]
BOXX
THE NEW HYBRID DB

Made of engineering grade plastic to prevent extensive damage in situations of excessive heat or fire.



RX³ RANGE RECOMMENDED WITH DUO BOXX



RX³ MCB

- For Overload and Short circuit protection
- Ratings: 6A-63A
- Configuration: SP, DP, TP & FP
- Voltage: 240V/415V AC
- Low watt loss



RX³ RCCB

- For Earth leakage protection
- Ratings: 25A, 40A & 63A
- Configuration: DP & FP
- Voltage: 240V/415V AC



RX³ Isolators

- For Switching ON/OFF
- Ratings: 40A, 63A, 80A
- Configuration: DP, TP & FP
- Voltage: 240V/415V AC





RECOMMENDED WITH RX³- MCB, ISOLATOR, RCCB AND DIN MOUNTED PRODUCTS



4026 04



4026 24



4026 14



4026 34

As per IEC 61439
Suitable for Surface and Flush Mounting
Completely flexible to organise the distribution as per site requirements
Prefitted masking sheet
Dust proof IP40-IK07-Class II
Self Extinguish resistance to incandescent wire at 850°C
Spacing between rails is 150 mm
Door opening direction is bottom to top

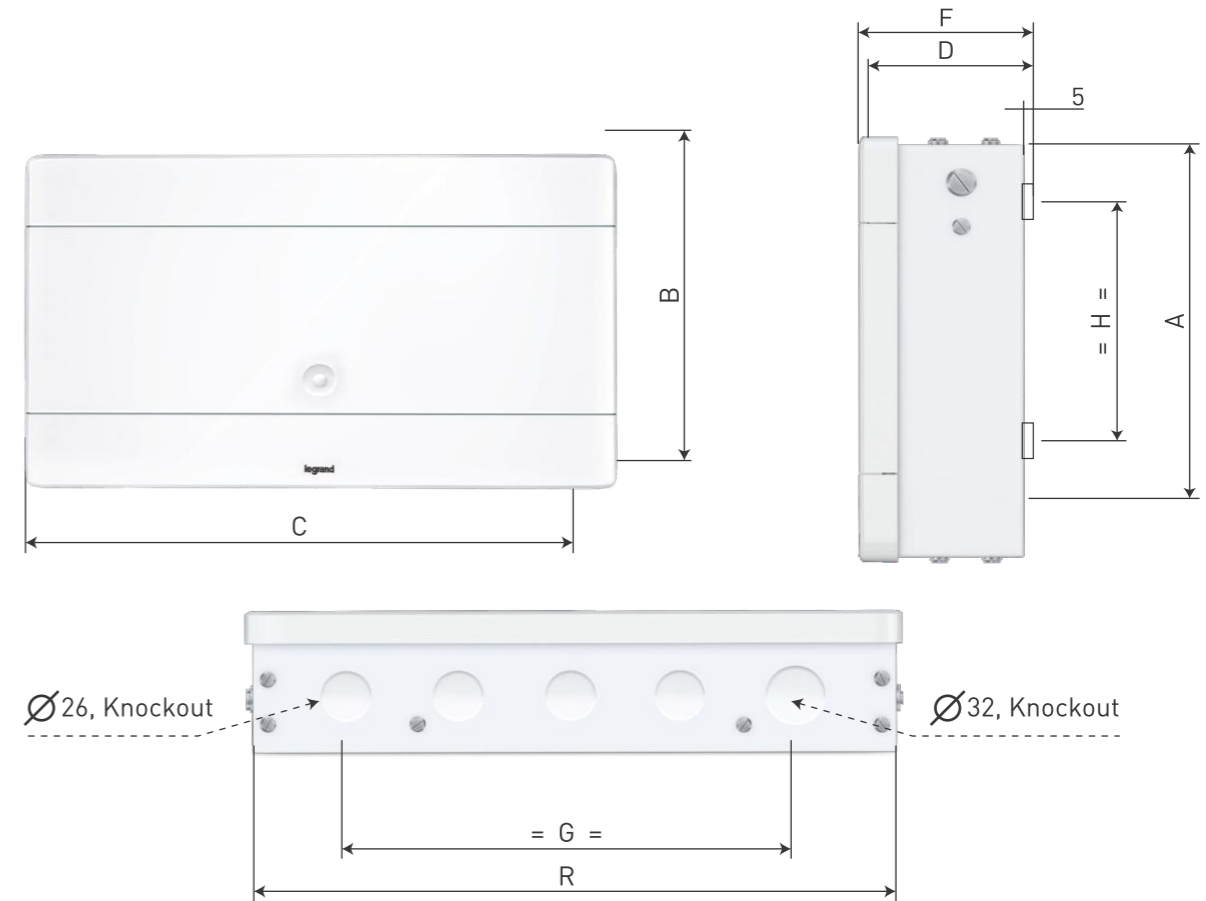
With classic white door

Pack	Cat.Nos	Item Description	No of Rows	No of Modules	MRP* ₹ / unit
1	4026 01	6 Module 1 Row	1	6	1236
1	4026 02	8 Module 1 Row	1	8	1440
1	4026 03	12 Module 1 Row	1	12	1796
1	4026 04	16 Module 1 Row	1	16	2042
1	4026 05	20 Module 1 Row	1	20	2340
1	4026 12	8 Module 2 Row	2	16	3176
1	4026 13	12 Module 2 Row	2	24	3972
1	4026 14	16 Module 2 Row	2	32	5020
1	4026 15	20 Module 2 Row	2	40	7034

With transparent crystal door

Pack	Cat.Nos	Item Description	No of Rows	No of Modules	MRP* ₹ / unit
1	4026 21	6 Module 1 Row	1	6	1298
1	4026 22	8 Module 1 Row	1	8	1512
1	4026 23	12 Module 1 Row	1	12	1886
1	4026 24	16 Module 1 Row	1	16	2144
1	4026 25	20 Module 1 Row	1	20	2458
1	4026 32	8 Module 2 Row	2	16	3334
1	4026 33	12 Module 2 Row	2	24	4170
1	4026 34	16 Module 2 Row	2	32	5272
1	4026 35	20 Module 2 Row	2	40	7386

DIMENSIONS (IN MM)



TYPE	NO OF WAYS	E	A	D	C	B	F	G	H	26 KNOCK OUT	32 KNOCK OUT
6 MOD SINGLE ROW	6	170	220	91	194	230	95	108	105	1	1
8 MOD SINGLE ROW	8	206	220	91	230	230	95	124	150	2	1
12 MOD SINGLE ROW	12	274	220	91	298	230	95	171	150	3	1
16 MOD SINGLE ROW	16	346	220	91	370	230	95	244	150	4	1
20 MOD SINGLE ROW	20	418	220	91	442	230	95	316	150	5	1
8 MOD DOUBLE ROW	16	204	388	91	230	400	95	124	290	2	1
12 MOD DOUBLE ROW	24	247	388	91	298	400	95	171	290	3	1
16 MOD DOUBLE ROW	32	346	450	91	370	460	95	244	350	4	1
20 MOD DOUBLE ROW	40	418	450	91	442	460	95	316	350	5	1